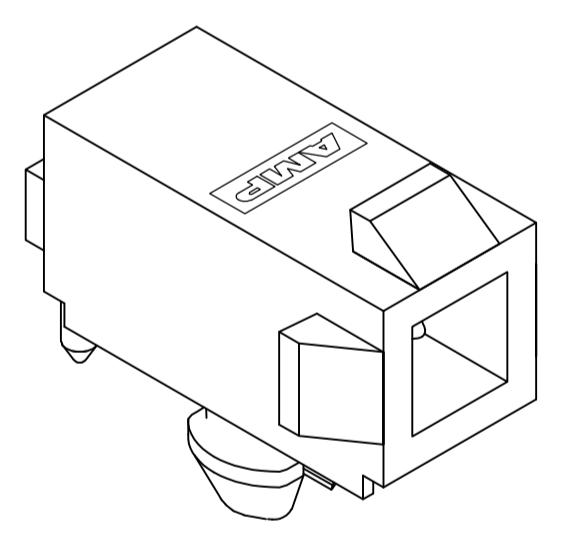
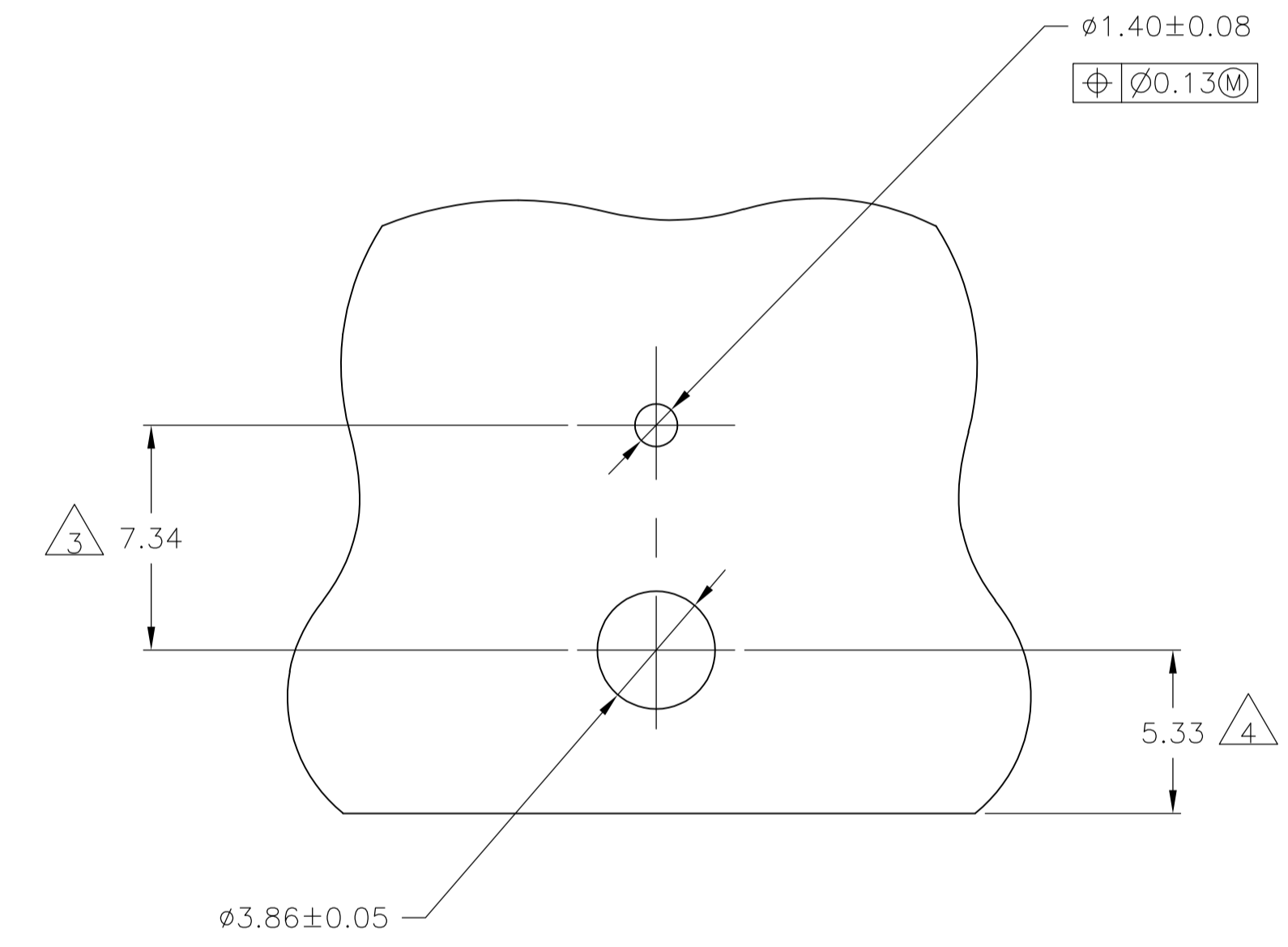


- PINS TO COMPLY WITH AMP SOLDERABILITY SPEC 109-11-3.
- MATES WITH PLUG P/N 172164-1.
- COORDINATE DIMENSION APPLIES FROM CENTER OF ACTUAL FEATURE.
- RECOMMENDED FOR EDGE MOUNTING.
- 0.00381 MIN MATTE TIN LEAD OVER 0.00127 MIN NICKEL ENTIRE LENGTH OF PIN.
- 0.00076 MIN GOLD PLATE IN THE LOCALIZED PLATE AREA, 0.00381 MIN MATTE TIN LEAD IN THE LOCALIZED PLATE AREA, BOTH OVER 0.00127 MIN NICKEL.
- 0.00381 MIN MATTE TIN PLATE OVER 0.00127 MIN NICKEL.
- 0.00076 MIN GOLD PLATE IN THE LOCALIZED GOLD PLATE AREA, 0.00381 MIN MATTE TIN IN THE LOCALIZED TIN PLATE AREA, BOTH OVER 0.00127 MIN NICKEL.



3-DIMENSIONAL MODEL NTS



RECOMMENDED MOUNTING HOLE PATTERN FOR 1.57 THICK P.C. BOARD

MM	IN	MM	IN	MM	IN	MM	IN
0.13	.005	3.68	.145	6.10	.240	-	-
0.08	.003	1.57	.062	5.72	.225	-	-
0.05	.002	1.40	.055	5.33	.210	-	-
0.00381	.000150	1.00	.039	5.08	.200	12.70	.500
0.00127	.000050	0.76	.030	4.95	.195	7.34	.289
0.00076	.000030	0.25	.010	3.86	.152	6.86	.270

CONVERSION TABLE

BRASS	△8	NYLON, UL94V-0	WHITE	1-794374-1
BRASS	△7	NYLON, UL94V-0	WHITE	1-794374-0
BRASS	△6	NYLON, UL94V-0	WHITE	794374-2
BRASS	△5	NYLON, UL94V-0	WHITE	794374-1
MATERIAL	FINISH	MATERIAL	COLOR	PART NO
PIN		HOUSING		
THIS DRAWING IS A CONTROLLED DOCUMENT.		DIN K WHITAKER 17APR97 CHK R SWING 17APR97 APVD R ORSTAD 17APR97 NAME PRODUCT SPEC APPLICATION SPEC SIZE WEIGHT CUSTOMER DRAWING		
DIMENSIONS: mm TOLERANCES UNLESS OTHERWISE SPECIFIED: 0. PLC ± - 1. PLC ± - 2. PLC ± 0.13 3. PLC ± - 4. PLC ANGLES ± 0°30'		STC TE Connectivity HEADER ASSEMBLY, RIGHT ANGLE, SINGLE CIRCUIT, MINI UNIVERSAL MATE-N-LOK(TM) SIZE: A1 CADE CODE: 00779 DRAWING NO: C=794374 RESTRICTED TO: - SCALE: 5:1 SHEET: 1 OF 1 REV: C		